



All of the gain. None of the processing pain.

Your practice can fast track into digital imaging with the speedy, compact GXPS-500 PSP.* Acquire clear, sharp images and gain fast digital scanning while keeping the office's familiar workflow process and preserving your past investment in x-ray equipment, whether its AC or DC. Flexible and thin, wireless PSP plates match the sizes and are positioned in the same manner as traditional film. In an instant, imaging plates are converted and cleared for re-use, and digital images are ready for review and diagnosis. With the GXPS-500, you'll efficiently eliminate the cost, time, and messiness associated with traditional film processing and effectively advance your practice's technology.

⇒ Affordable Alternative

- An economical way to step into digital dentistry
- Replace the cost and inconvenience of the film processor
- Reusable, long-lasting imaging plates

⇒ Fast, Familiar Workflow

- Film-like workflow with the benefits of digital imaging
- Image readout in 5 to 7 seconds – includes automatic plate clearing
- Save time and enhance productivity by minimizing processing time and maintenance

⇒ Chemical-Free, Hassle-Free Images

- Eliminate chemicals to create a safer work environment
- SmartFeed™ technology reduces user error
- Touchless process helps facilitate long plate life

* Photo-stimulable Phosphor Plate

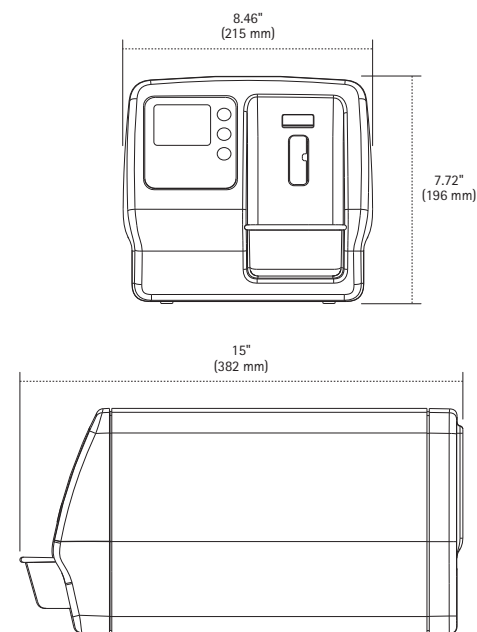
Technical Specifications

Gendex GXPS-500™ Digital X-ray Phosphor Plate System

Operating Voltage	24 VDC (100-240 VAC power supply included)
Frequency	50/60 Hz
Operating Current	Less than 1.5A
Resolution	14.3 lp/mm
Image Pixel Size	64 µm (high resolution), 35µm (super resolution)
Interface	10/100 with 1GB Compliant Ethernet
Weight	22.7 lbs (10.3 kg)
Warranty	2 years
Intraoral Plate Dimensions	Size 0 - 22 x 31 mm Size 1 - 24 x 40 mm Size 2 - 31 x 41 mm Size 3 - 27 x 54 mm

The Gendex GXPS-500 is a Class I Laser Product and complies with DHHS Radiation Performance Standards 21 CFR, Ch I, Subch. J+EN60825.

Unit Dimensions



PC Requirements	Minimum	Recommended
Operating System	Microsoft® Windows® XP with service pack SP3	Microsoft® Windows® 7 Professional 64 bit
Processor	Intel Celeron® M 1.6 GHz	Intel® Core™ 2 Duo 2.4 GHz
Memory	2 GB	4 GB
Hard Disk	250 GB	500 GB
Display Settings	1024 x 768 at 32 bit true color	1280 x 1024 at 32 bit true color
Video Memory	1 GB	4 GB
Ethernet Port	10/100 with 1GB Compliant	
Driver	GxPicture 3.2 or higher	
Standards	In compliance with the UL/IEC/EN 60950 standard	

Microsoft®, Windows®, Intel® and Celeron® are trademarks of their respective owners.



Gendex Dental Systems
1910 North Penn Road
Hatfield, PA 19440 USA
Tel 1-800-323-8029
www.gendex.com

Scan here for more information



Become a fan
[facebook.com/Gendex](https://www.facebook.com/Gendex)



Follow us
[@Gendex](https://twitter.com/Gendex)

GX PS-500™



NEW *from* Gendex!

Enlighten Your Practice With The Power Of PSP

- [Cone Beam 3D Imaging Systems](#)
- [Panoramic X-ray Systems](#)
- [Intraoral X-ray Systems](#)
- [Digital Intraoral Sensors](#)
- [Digital X-ray Phosphor Plates](#)
- [Intraoral Cameras](#)
- [Imaging Software](#)

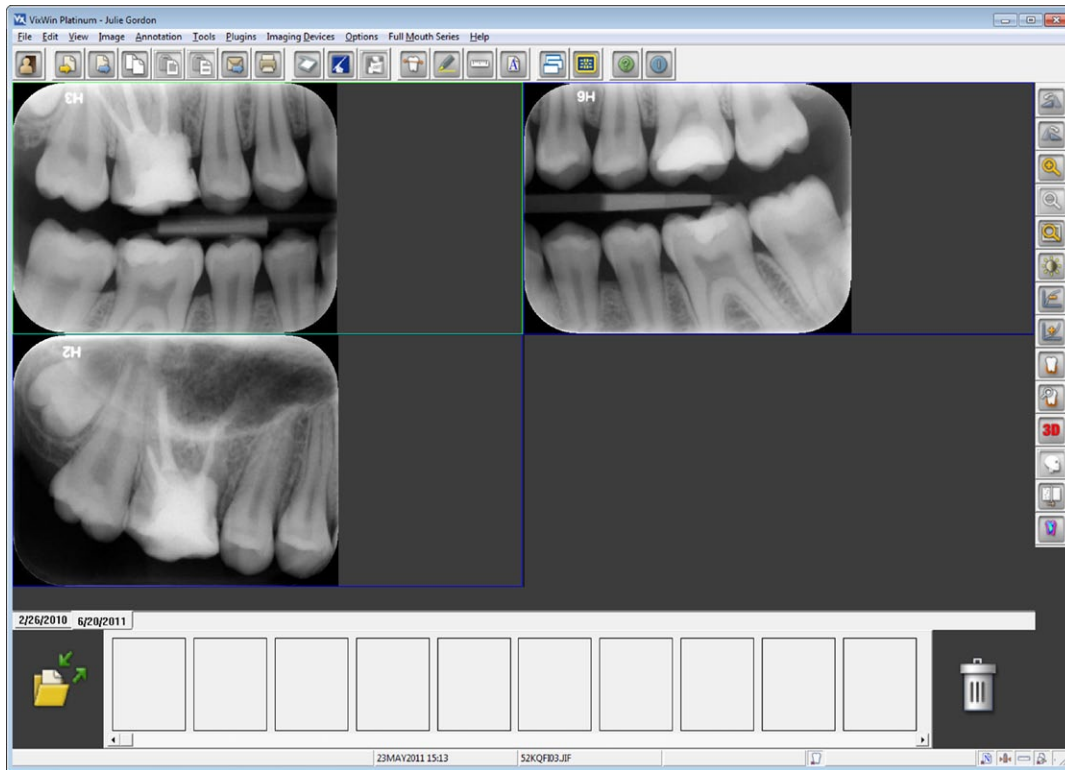
GENDEX[®]
Imaging Excellence Since 1893



*Scans and delivers images
for intraoral (0, 1, 2, 3) sizes
in seconds*

Affordable Alternative

Replace the cost and inconvenience of the film processor with reusable, long-lasting PSP imaging plates. A touchless end-to-end workflow keeps plates protected, decontaminated, and performing dependably time-after-time. The system scans and delivers images for intraoral (0, 1, 2, 3) sizes in seconds, successfully imaging patients of all sizes and all types of anatomies. High-quality digital images can be shared over a network, making this PSP particularly economical for large practices. The GXPS-500 comes with a full set of accessories, including 18 imaging plates, protective covers, hygienic bags and a plate storage box. Optional cutting-edge Gendex VixWin™ Platinum software let's you further enhance your digital radiology capabilities.



*Simple, film-like workflow
with the immediate benefits
of digital imaging*

Fast, Familiar Workflow

Ready to work virtually out-of-the-box, the GXPS-500 installs and integrates easily and requires minimal training. Your staff will appreciate the simplicity of its film-like workflow and the immediate benefits of reliable, consistent digital image output. A speedy, 5 to 7-second image readout time accelerates the entire process, delivering highly diagnostic digital images to any PC while reducing wait-time for all. As a sharp, clear image appears on screen, an auto-erase feature simultaneously clears the plate for the next reading. With no film to duplicate, digital images are easily shared and stored and readily available for review, archive or email.



Touchless workflow to keep the reusable plates protected for optimal performance

Chemical-Free, Hassle-Free Images

Reliably capture consistently clear images in full daylight, without any of the worries of over- or underexposure. The GXPS-500 features reusable phosphor plates that slip into a protective cover and a hygienic barrier. This touchless system safeguards against scratches and fingerprints to promote long plate life. The quick and easy SmartFeed™ loading system minimizes errors by guiding correct plate orientation and eliminating the risk of lost or low-quality images due to incorrect feeding. During processing, plates are cleared and ready for immediate re-use in seconds. With no chemicals to use, store, replace, and dispose, you'll find the GXPS-500 a faster, smarter, and safer option for your office, your staff, and the environment.